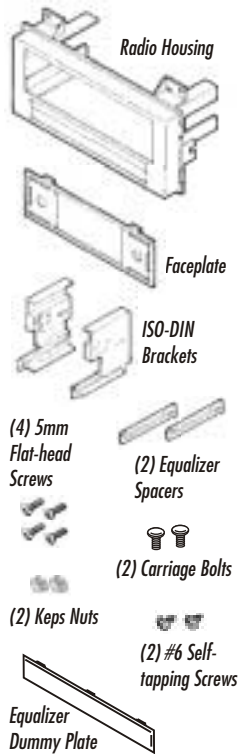


KIT FEATURES

- ▶ Factory pocket provisions
- ▶ Equalizer provisions

KIT COMPONENTS



TOOLS REQUIRED



99-3044

INSTALLATION INSTRUCTIONS

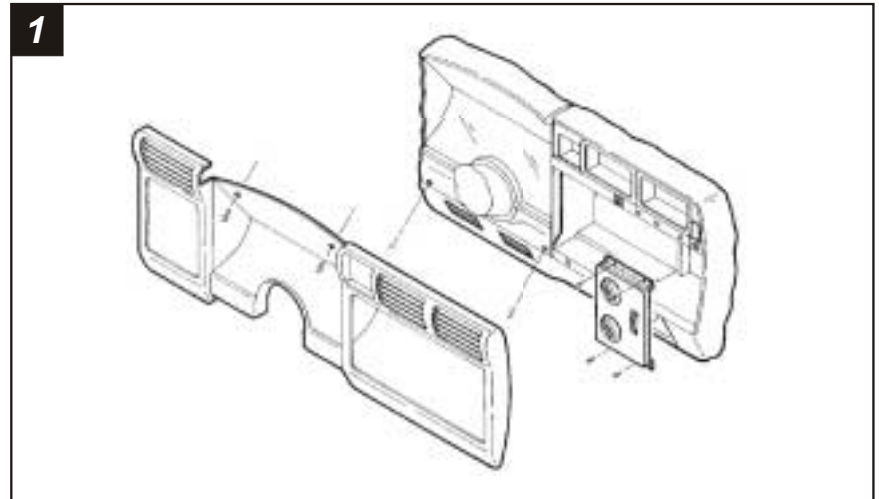
APPLICATIONS

CAR	PAGE
CHEVROLET	
Blazer 1995-97.....	1-3
S-10 Pickup 1994-97.....	1-3
GMC	
Jimmy 1995-97.....	1-3
Sonoma 1994-97.....	1-3
ISUZU	
Hombre 1996-97.....	1-3
OLDSMOBILE	
Bravada 1996-97.....	1-3

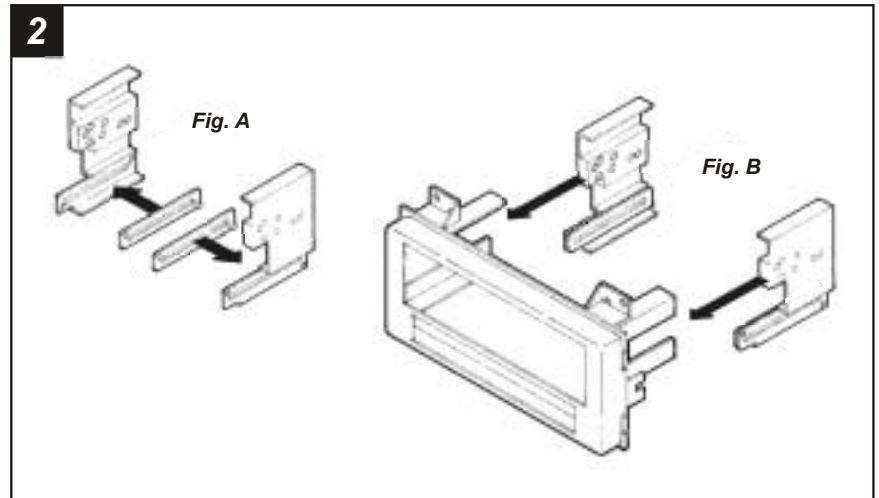


1-800-221-0932 www.metraonline.com
 © COPYRIGHT 2001 METRA ELECTRONICS CORPORATION

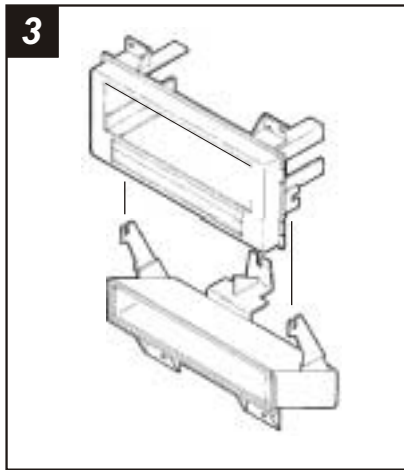
ALL VEHICLES



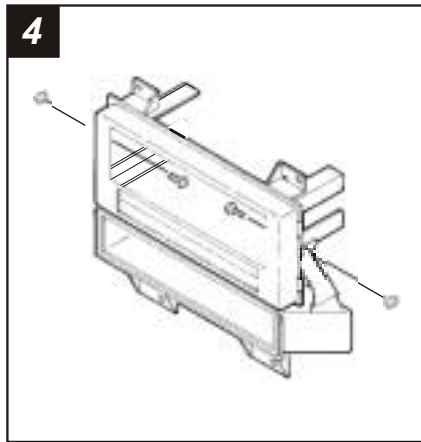
Disconnect the negative battery terminal to prevent an accidental short circuit. Remove (2) screws above the speedometer cluster. Remove the ashtray and (1) screw exposed in the ashtray cavity. Remove (2) screws from the lower steering column trim bezel and remove the bezel. Unclip the dash trim bezel, disconnect the light switch wiring and remove the bezel. Remove (4) screws securing the climate control panel and remove the panel. Remove (4) screws securing the factory head unit/pocket assembly and disconnect the wiring.



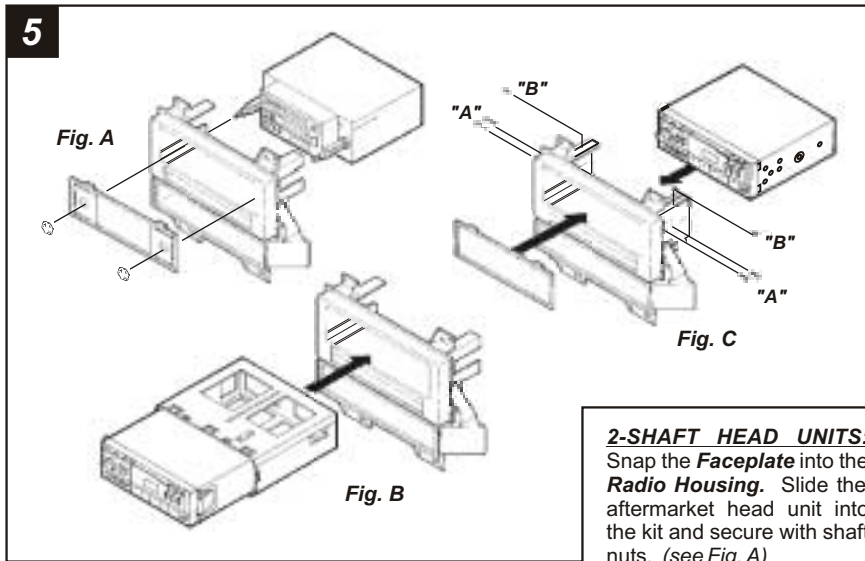
IF AN EQUALIZER WILL NOT BE INCLUDED: Skip to step #3.
IF AN EQUALIZER WILL BE INCLUDED: Snap the **Equalizer Spacers** onto the bottom of the **ISO-DIN Brackets**. (see Fig. A). Slide the Brackets onto the **Radio Housing** legs. (see Fig. B)



Remove the pocket from the factory head unit and slide the mounting tabs on the pocket over the side tabs on the **Radio Housing**.



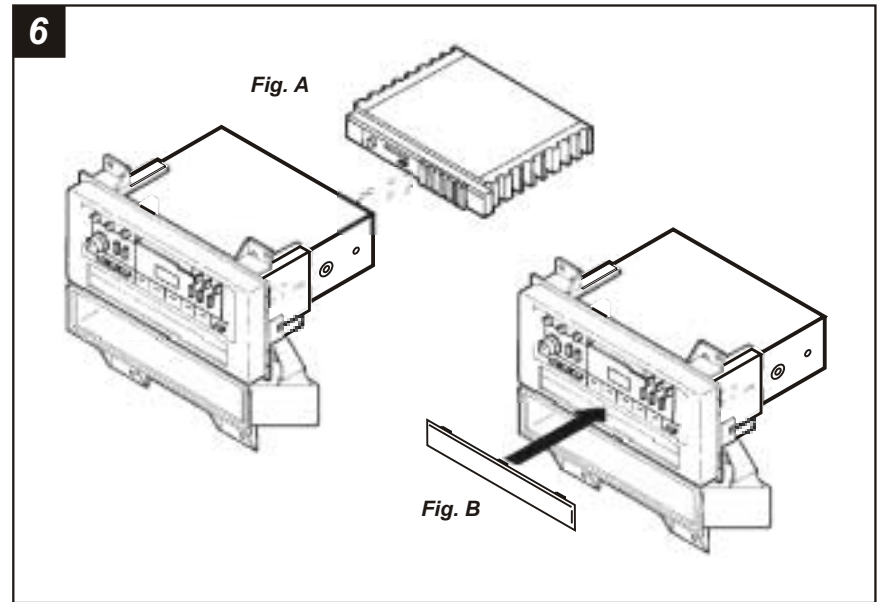
Mount the pocket to the **Radio Housing** with (2) **Carriage Bolts** and (2) **Nuts** supplied.



2-SHAFT HEAD UNITS: Snap the **Faceplate** into the **Radio Housing**. Slide the aftermarket head unit into the kit and secure with shaft nuts. (see Fig. A)

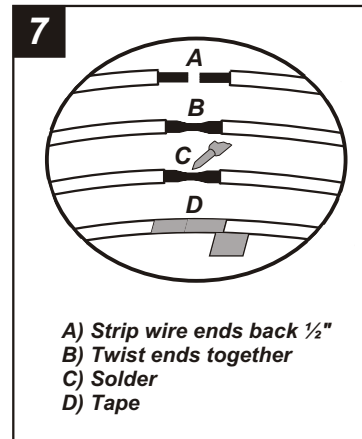
DIN HEAD UNITS: Slide the DIN cage into the kit and secure by bending the metal locking tabs down. Slide the aftermarket head unit into the cage until secure. (see Fig. B)

ISO-DIN HEAD UNITS: Cut and remove the shaft supports from the **Faceplate**. Snap the **Faceplate** into the **Radio Housing**. Slide the aftermarket head unit into the back of the kit. Slide the **ISO-DIN Brackets** onto the Housing legs and align the holes in the Brackets with the holes in the unit. Mount the Brackets to the unit with (4) **5mm Flat-head Screws** supplied ("A"). Mount the Brackets to the top of the Housing legs with (2) **#6 Self-tapping Screws** ("B"). (see Fig. C)

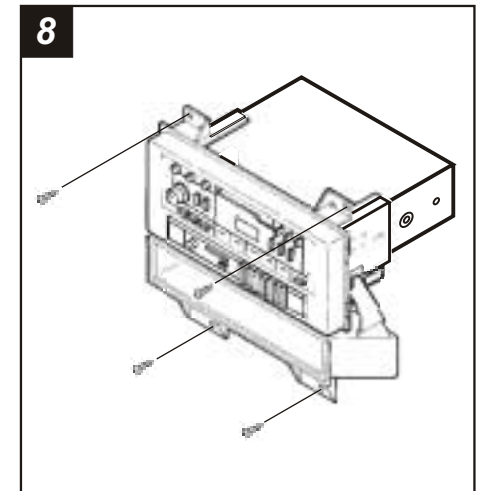


IF AN EQUALIZER WILL BE INCLUDED: Slide the aftermarket equalizer into the back of the **Radio Housing**. Using the hardware included with the equalizer, mount the unit to the kit. (see Fig. A)

IF AN EQUALIZER WILL NOT BE INCLUDED: Snap the **Equalizer Dummy Plate** into the **Radio Housing**. (see Fig. B)



Locate the factory wiring harness in the dash. Metra recommends using the proper mating adaptor and making connections as shown. (Isolate and individually tape off the ends of any unused wires to prevent electrical short circuit).



Re-connect the battery terminal and test the unit for proper operation. Mount the head unit/kit assembly to the sub-dash with (4) screws previously removed in step #1.