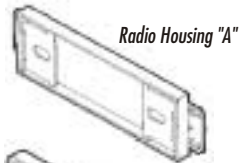
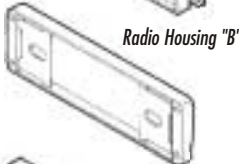


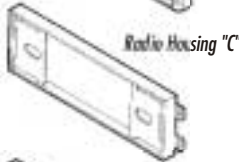
**KIT COMPONENTS**



Radio Housing "A"



Radio Housing "B"



Radio Housing "C"



Radio Housing "D"



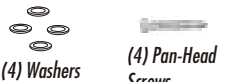
Spacer Set "A"



Spacer Set "B"



(4) Plugs (4) Oval-Head Screws



(4) Washers (4) Pan-Head Screws

**TOOLS REQUIRED**



Phillips screwdriver



Cutting tool

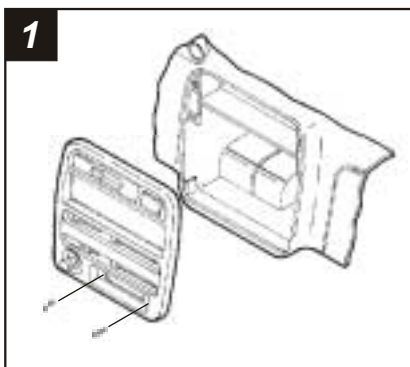


# 99-7301 INSTALLATION INSTRUCTIONS

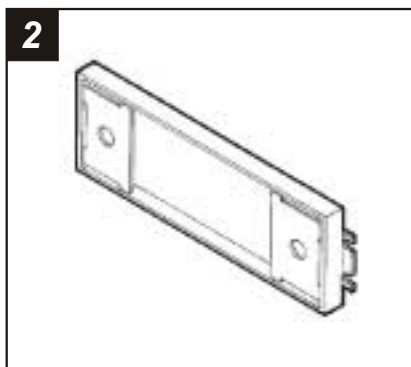
## APPLICATIONS

<b>CAR</b>	<b>PAGE</b>
<b>HYUNDAI</b>	
Accent 1995-99.....	1
Elantra 1992-95.....	1
Excel 1986-89.....	2
Excel 1990-94.....	2
Scoupe 1991-95.....	3
Sonata 1995-98.....	3
Tiburon 1997-02.....	4
<b>MITSUBISHI</b>	
Precis 1986-89.....	5
Precis 1990-93.....	4

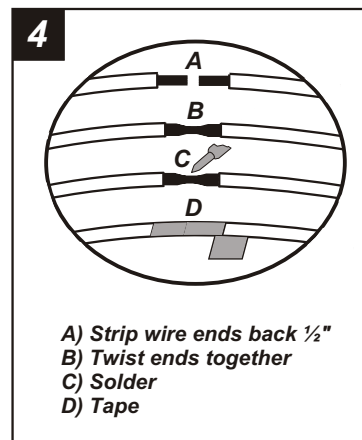
## HYUNDAI Accent 1995-99



Disconnect the negative battery terminal to prevent an accidental short circuit. Remove the ashtray and (2) Phillips screws exposed. Disconnect (2) vent cables from the vent levers located behind the driver's side dash. Unclip the dash trim bezel and disconnect the wiring. Remove (4) Phillips screws securing the factory head unit and disconnect the wiring.

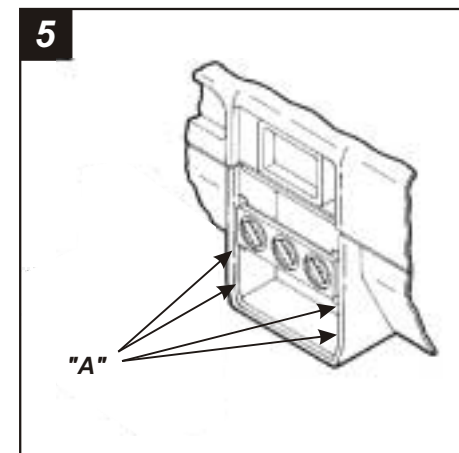


Locate **Radio Housing "D"**. Locate the (4) factory screws previously removed in step #1 and retain for use in step #6. *Skip to the Installation Instructions for ALL VEHICLES on Page #6.*



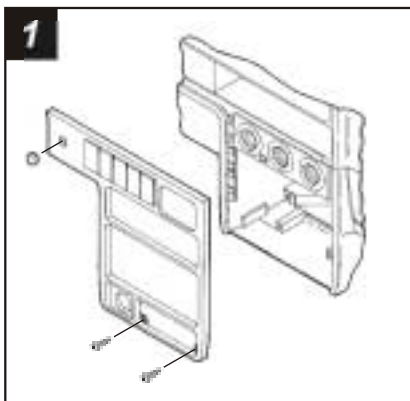
A) Strip wire ends back ½"  
B) Twist ends together  
C) Solder  
D) Tape

Locate the factory wiring harness in the dash. Metra recommends using the proper mating adaptor and making connections as shown. (Isolate and individually tape off the ends of any unused wires to prevent electrical short circuit).

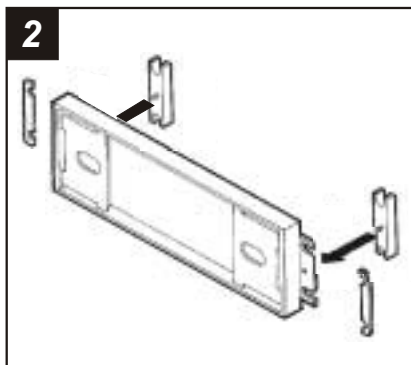


Locate the mounting positions in the sub-dash.

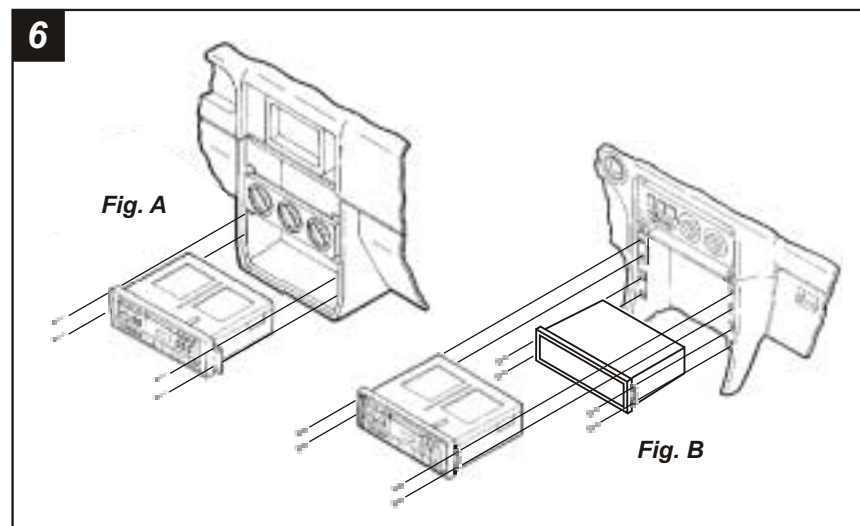
## HYUNDAI Elantra 1992-95



Disconnect the negative battery terminal to prevent an accidental short circuit. Remove the ashtray and (2) screws exposed. Pop out the round plug from the radio trim bezel and remove (1) screw exposed. Unclip and remove the trim bezel. Remove (4) screws from the factory radio, slide the radio out and disconnect the wiring.



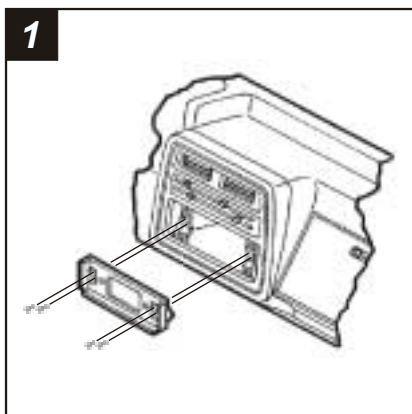
Convert **Radio Housing "A"** by cutting along the v-cut on each mounting tab and removing the indicated segments. Attach **Spacer Set "A"** to the back of the converted mounting tabs. Locate (4) **Pan-Head Screws** and (4) **Washers** included in the kit and retain for use in step #6. *Skip to the Installation Instructions for ALL VEHICLES on Page #6.*



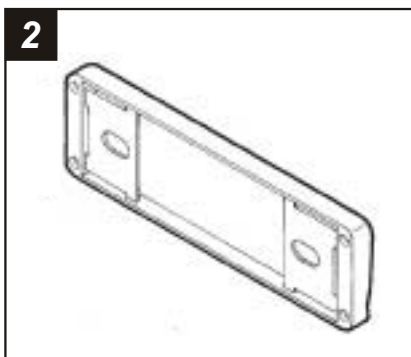
**ACCENT, ELANTRA, EXCEL, PRECIS, SCOUPE, TIBURON:** Re-connect the battery terminal and test the unit for proper operation. Mount the head unit/kit assembly to the sub-dash using the hardware indicated in step #2 (see Fig. A).

**SONATA:** Re-connect the battery terminal and test the unit for proper operation. Mount the head unit/kit assembly to the sub-dash with (4) Phillips screws previously removed in step #1 (see Fig. B).

## MITSUBISHI *Precis* 1986-89

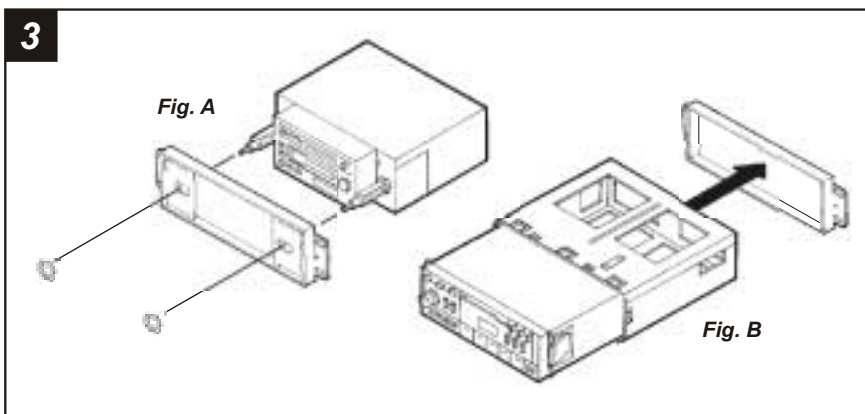


Disconnect the negative battery terminal to prevent an accidental short circuit. Remove (4) Phillips screws from the factory radio mounting plate. Slide the radio assembly out and disconnect the wiring.



Locate **Radio Housing "B"** included in the kit and retain for use in step #3. Locate (4) **Oval-Head Screws** and (4) **Plugs** included in the kit and retain for use in step #6. *Skip to the Installation Instructions for ALL VEHICLES on Page #6.*

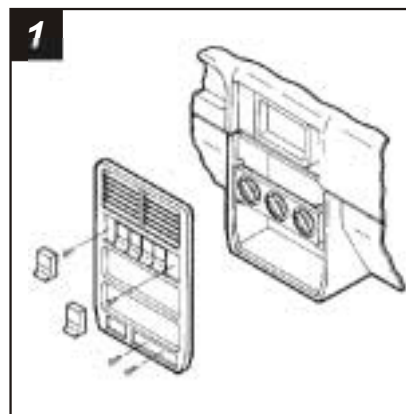
## ALL VEHICLES



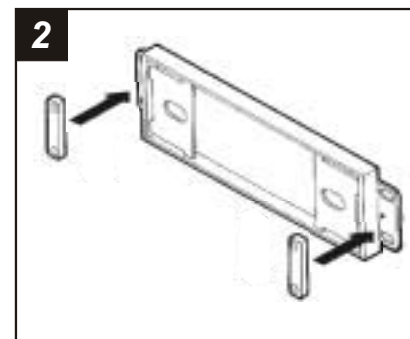
**2-SHAFT HEAD UNITS:** Slide the aftermarket head unit into the kit and secure with shaft nuts. (see Fig. A)

**DIN HEAD UNITS:** Cut and remove the shaft supports. Slide the DIN cage into the **Radio Housing** and secure by bending the metal locking tabs down. Slide the aftermarket head unit into the cage until secure. (see Fig. B)

## HYUNDAI *Excel* 1990-94

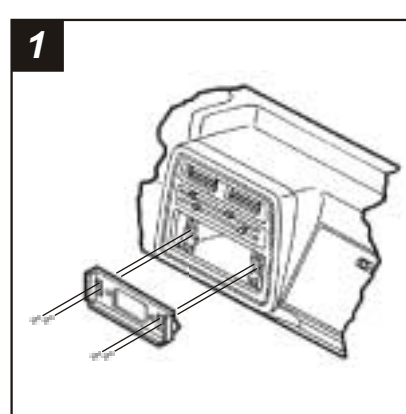


Disconnect the negative battery terminal to prevent an accidental short circuit. Remove (2) screws from the ashtray cavity. Pop out the hazard switch and remove (1) screw exposed. Pop out the switch blank from the far-right position and remove (1) screw exposed. Remove the trim bezel/factory radio and disconnect the wiring.

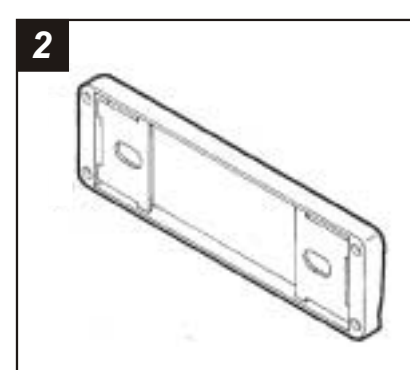


Locate **Radio Housing "A"** included in the kit and retain for use in step #3. Locate (4) **Pan-Head Screws** and (4) **Washers** included in the kit and retain for use in step #6. (It may be necessary to attach **Spacer Set "B"** to the front of the mounting tabs for some later models). *Skip to the Installation Instructions for ALL VEHICLES on Page #6.*

## HYUNDAI *Excel* 1986-89



Disconnect the negative battery terminal to prevent an accidental short circuit. Remove (4) Phillips screws from the factory radio mounting plate. Slide the radio assembly out and disconnect the wiring.

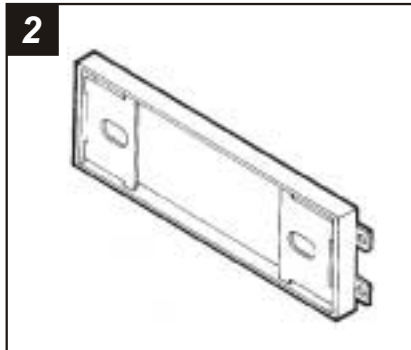


Locate **Radio Housing "B"** included in the kit and retain for use in step #3. Locate (4) **Oval-Head Screws** and (4) **Plugs** included in the kit and retain for use in step #6. *Skip to the Installation Instructions for ALL VEHICLES on Page #6.*

## HYUNDAI Scoupe 1991-95

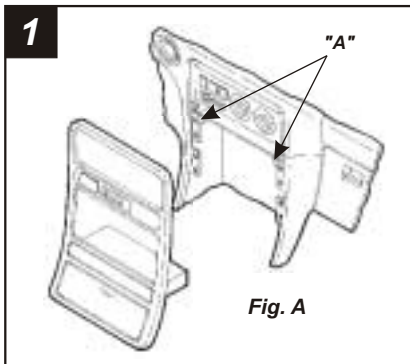


Disconnect the negative battery terminal to prevent an accidental short circuit. Remove (2) screws from the bottom of the radio trim bezel. Remove the bezel and disconnect the wiring. Remove (4) screws from the factory radio, slide the radio out and disconnect the wiring.

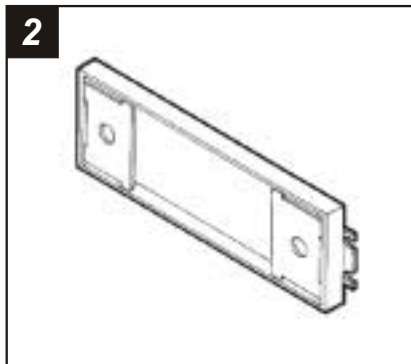


Locate **Radio Housing "C"** included in the kit and retain for use in step #3. Locate the (4) factory screws previously removed in step #1 and retain for use in step #6. *Skip to the Installation Instructions for ALL VEHICLES on Page #6.*

## HYUNDAI Sonata 1995-98



Disconnect the negative battery terminal to prevent an accidental short circuit. Unclip the gear shifter trim panel and remove (1) screw exposed. Unclip the dash trim bezel and remove. Remove (4) Phillips screws securing the factory head unit and disconnect the wiring. Cut and remove tabs **"A"** located in the top corners of the dash cavity. (see Fig. A).

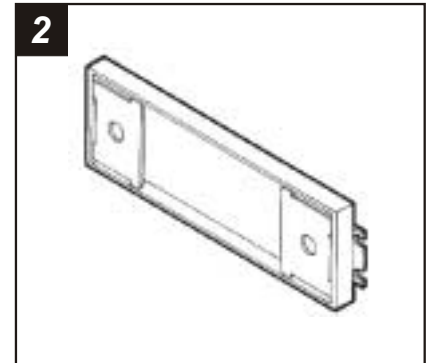


Locate **Radio Housing "D"**. Locate the (4) factory screws previously removed in step #1 and retain for use in step #6. *Skip to the Installation Instructions for ALL VEHICLES on Page #6.*

## HYUNDAI Tiburon 1997-02

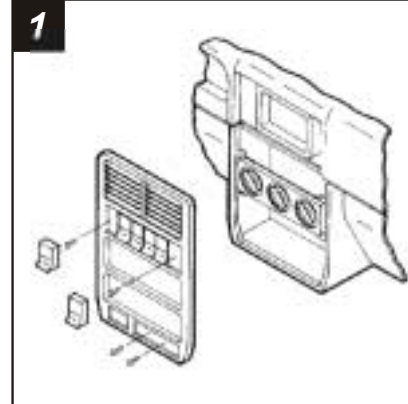


Disconnect the negative battery terminal to prevent an accidental short circuit. Remove (4) Phillips screws securing the center console. Pry out on the front edge of the console and unclip the radio trim bezel. Remove (2) Phillips screws securing the factory pocket and remove. Remove (4) Phillips screws securing the factory head unit and disconnect the wiring.

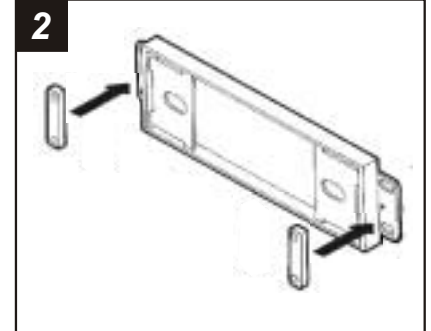


Locate **Radio Housing "D"**. Locate the (4) factory screws previously removed in step #1 and retain for use in step #6. *Skip to the Installation Instructions for ALL VEHICLES on Page #6.*

## MITSUBISHI Precis 1990-93



Disconnect the negative battery terminal to prevent an accidental short circuit. Remove (2) screws from the ashtray cavity. Pop out the hazard switch and remove (1) screw exposed. Pop out the switch blank from the far-right position and remove (1) screw exposed. Remove the trim bezel/factory radio and disconnect the wiring.



Locate **Radio Housing "A"** included in the kit and retain for use in step #3. Locate (4) **Pan-Head Screws** and (4) **Washers** included in the kit and retain for use in step #6. (It may be necessary to attach **Spacer Set "B"** to the front of the mounting tabs for some later models). *Skip to the Installation Instructions for ALL VEHICLES on Page #6.*