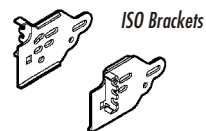
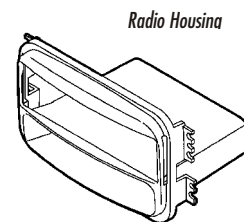


KIT FEATURES

- ▶ ISO head unit provisions
- ▶ CD jewel case pocket (holds 2 jewel cases)

KIT COMPONENTS



TOOLS REQUIRED



99-7312

INSTALLATION INSTRUCTIONS

APPLICATIONS

CAR	PAGE
HYUNDAI	
Tiburon (double DIN) 1997-02.....	1-2



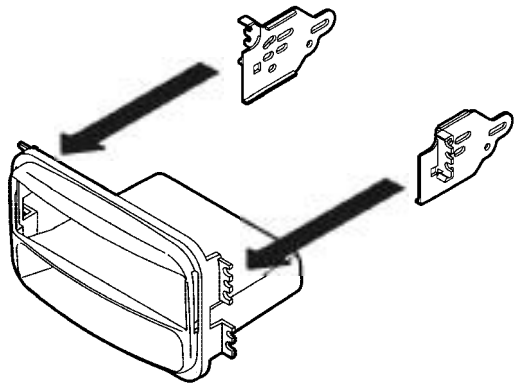
ALL VEHICLES

1



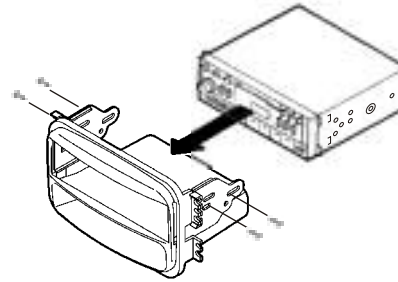
Disconnect the negative battery terminal to prevent an accidental short circuit. Remove (4) Phillips screws securing the center console. Pry out on the front edge of the console and unclip the radio trim bezel. Remove (4) Phillips screws securing the factory head unit and disconnect the wiring.

2



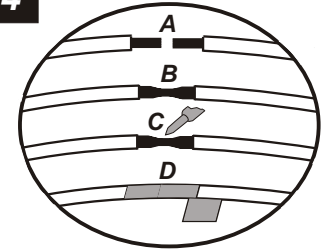
Snap the **ISO Brackets** over the mounting tabs on the **Radio Housing**.

3



Slide the head unit into the **Radio Housing**, align the holes in the head unit with the holes in the Housing and mount the unit with the screws supplied with the unit.

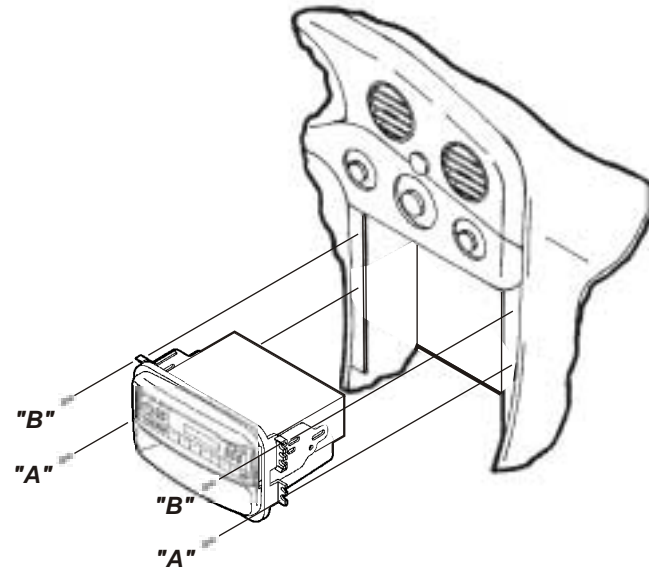
4



A) Strip wire ends back 1/2"
B) Twist ends together
C) Solder
D) Tape

Locate the factory wiring harness in the dash. Metra recommends using the proper mating adaptor and making connections as shown. (Isolate and individually tape off the ends of any unused wires to prevent electrical short circuit).

5



Re-connect the battery terminal and test the unit for proper operation. Mount the head unit/kit assembly to the sub-dash with (2) Phillips screws previously removed in step #1 ("A") and (2) **#10 x 3/4" Phillips Pan-head Screws** supplied ("B").