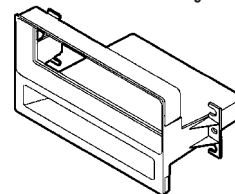


KIT FEATURES

- ▶ DIN head unit provisions

KIT COMPONENTS

Radio Housing



TOOLS REQUIRED



Phillips screwdriver

99-7415

INSTALLATION INSTRUCTIONS

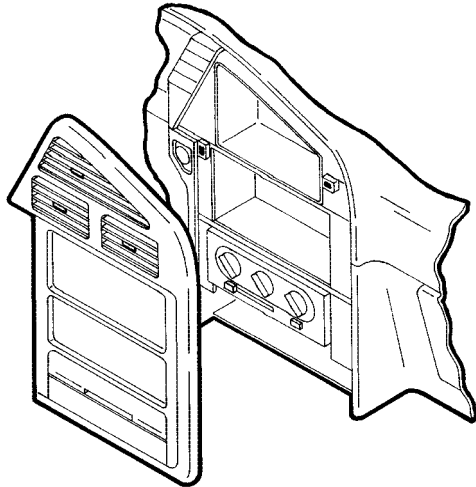
APPLICATIONS

CAR	PAGE
MERCURY	
Villager 1999-02	1-2
NISSAN	
Quest 1999-02	1-2



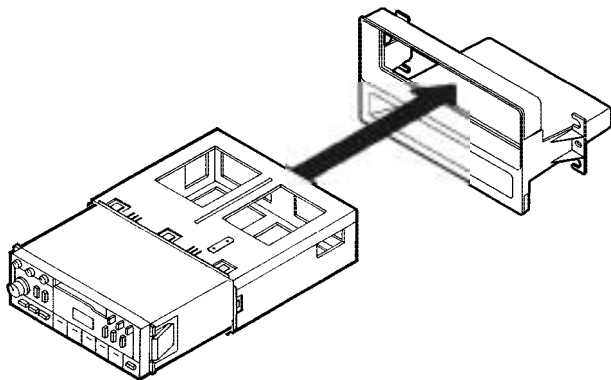
ALL VEHICLES

1



Disconnect the negative battery terminal to prevent an accidental short circuit. Open the ashtray/cupholder assembly, depress the retaining clips on each side and remove the assembly. Remove (2) Phillips screws from each side of the ashtray/cupholder assembly. Remove (4) plastic rivets from the lower pocket and slide the pocket back. (NOTE: It is NOT necessary to remove the pocket. Unclip the dash trim bezel and remove. Remove (4) Phillips screws securing the factory head unit and disconnect the wiring.

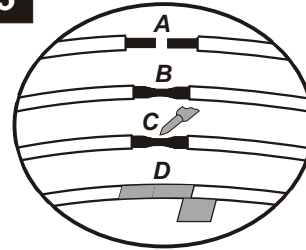
2



Slide the DIN cage into the Radio Housing and secure by bending the metal locking tabs down. Slide the aftermarket head unit into the DIN cage until secure.

1

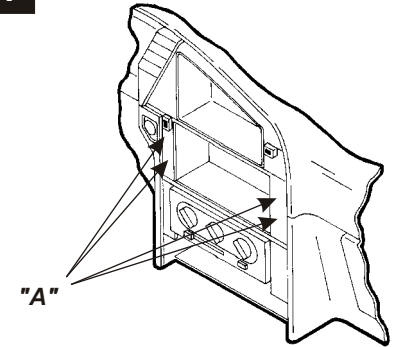
3



- A) Strip wire ends back 1/2"
- B) Twist ends together
- C) Solder
- D) Tape

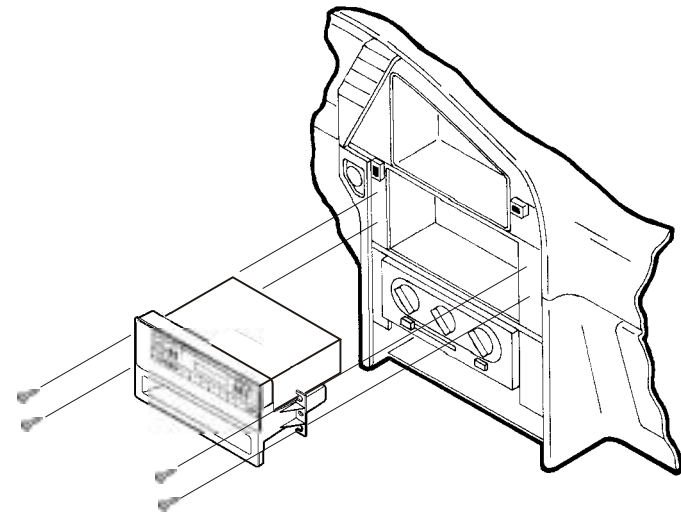
Locate the factory wiring harness in the dash. Metra recommends using the proper mating adaptor and making connections as shown. (Isolate and individually tape off the ends of any unused wires to prevent electrical short circuit).

4



Locate the (4) mounting positions in the sub-dash ("A").

5



Re-connect the battery terminal and test the unit for proper operation. Mount the head unit/kit assembly to the sub-dash with (4) Phillips screws previously removed in step #1.

2