

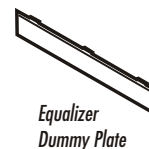
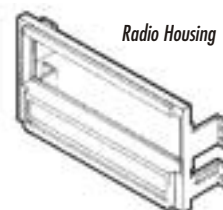
KIT FEATURES

- ▶ Shaft and DIN unit provisions
- ▶ Equalizer provisions

99-7580

INSTALLATION INSTRUCTIONS

KIT COMPONENTS



APPLICATIONS

CAR	PAGE
NISSAN	
Frontier 1998-01.....	1-2
Xterra 2000-01.....	1-2

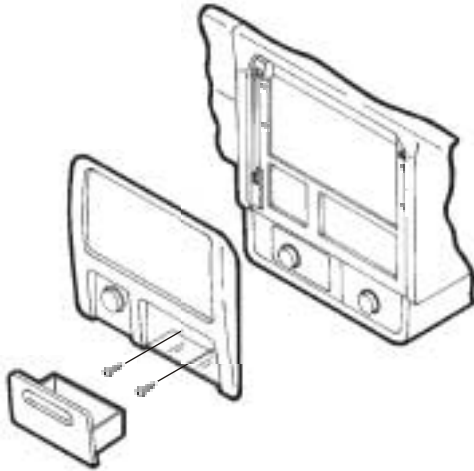


TOOLS REQUIRED



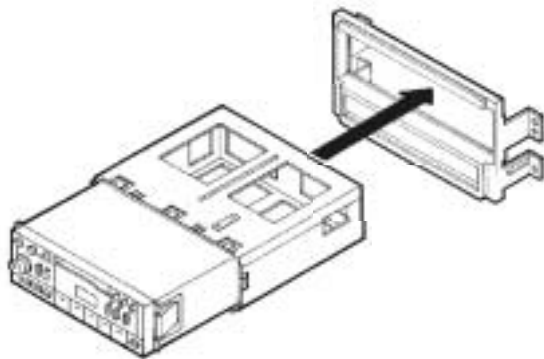
ALL VEHICLES

1



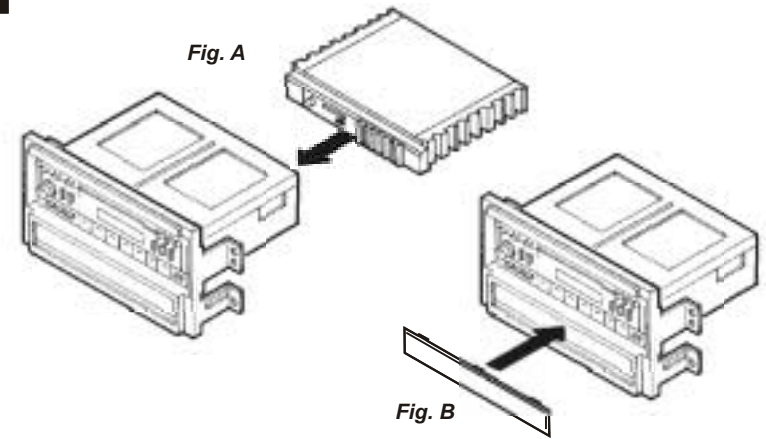
Disconnect the negative battery terminal to prevent an accidental short circuit. Remove the ashtray and (2) Phillips screws exposed in the ashtray cavity. Unclip the radio trim bezel and remove. Remove (4) Phillips screws securing the factory head unit and disconnect the wiring.

2



DIN HEAD UNITS: Slide the DIN cage into the **Radio Housing** and secure by bending the metal locking tabs down. Slide the aftermarket head unit into the cage until secure. (For a 2-shaft head unit installation, order Metra's **87-09-9902** and snap it into the Radio Housing).

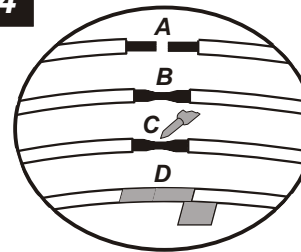
3



IF AN EQUALIZER WILL BE INCLUDED: Slide the aftermarket equalizer into the back of the **Radio Housing**. Using the hardware included with the equalizer, mount the unit to the kit. (see Fig. A)

IF AN EQUALIZER WILL NOT BE INCLUDED: Snap the **Equalizer Dummy Plate** into the **Radio Housing**. (see Fig. B)

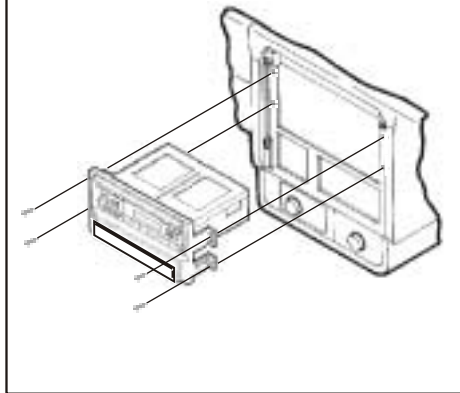
4



- A) Strip wire ends back 1/2"
- B) Twist ends together
- C) Solder
- D) Tape

Locate the factory wiring harness in the dash. Metra recommends using the proper mating adaptor and making connections as shown. (Isolate and individually tape off the ends of any unused wires to prevent electrical short circuit).

5



Re-connect the battery terminal and test the unit for proper operation. Mount the head unit/kit assembly to the sub-dash with (4) Phillips screws previously removed in step #1.