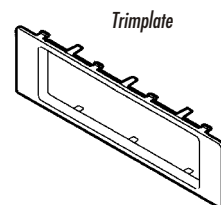


KIT FEATURES

- ▶ DIN head unit provisions

KIT COMPONENTS



Trimplate

TOOLS REQUIRED



86-9001 - Head unit removal keys

99-9100

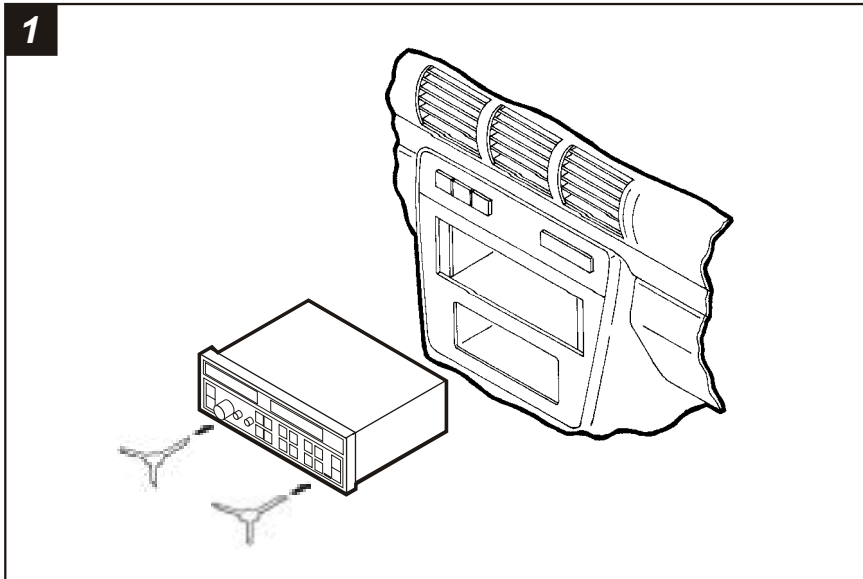
INSTALLATION INSTRUCTIONS

APPLICATIONS

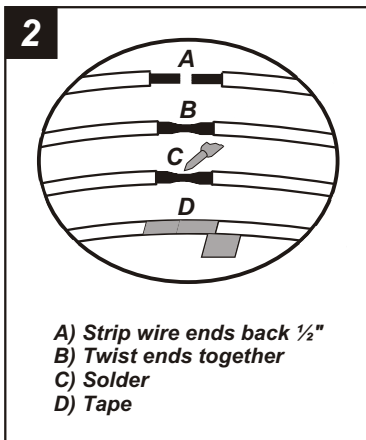
CAR	PAGE
AUDI	
A4 1996-99.....	1-2
A6 1996-99.....	1-2
A8 1996-99.....	1-2
TT 2001-02.....	1-2



ALL VEHICLES

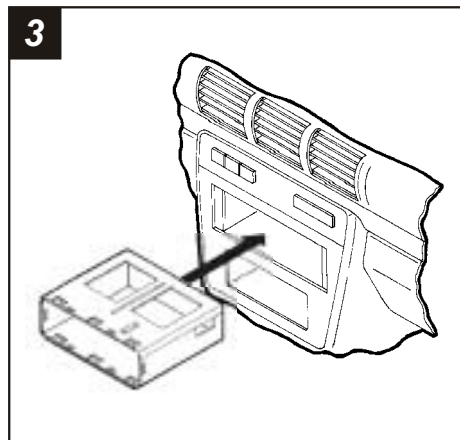


Disconnect the negative battery terminal to prevent an accidental short circuit. Insert the long ends of Metra's **86-9001** into the slots in the factory head unit and pull the unit out. Disconnect the wiring.

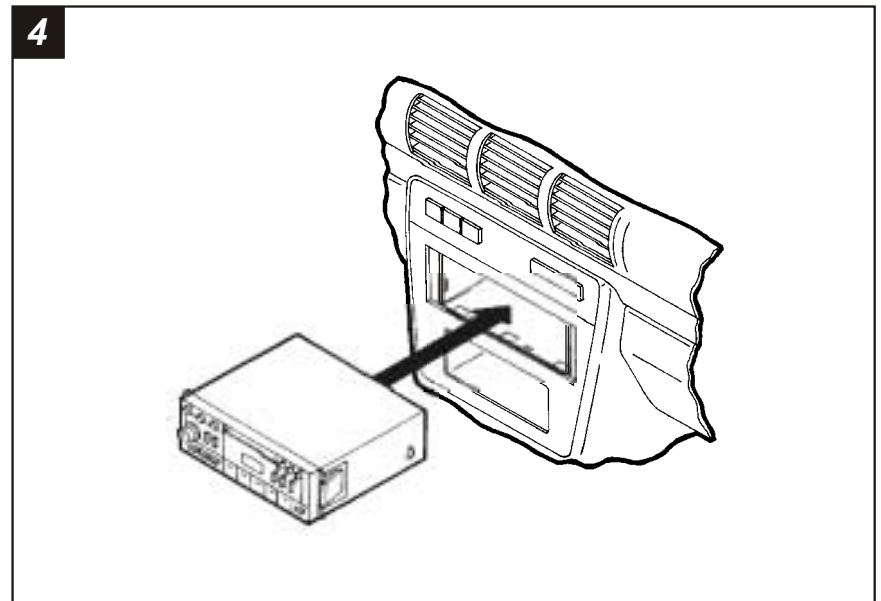


- A) Strip wire ends back $\frac{1}{2}$ "
- B) Twist ends together
- C) Solder
- D) Tape

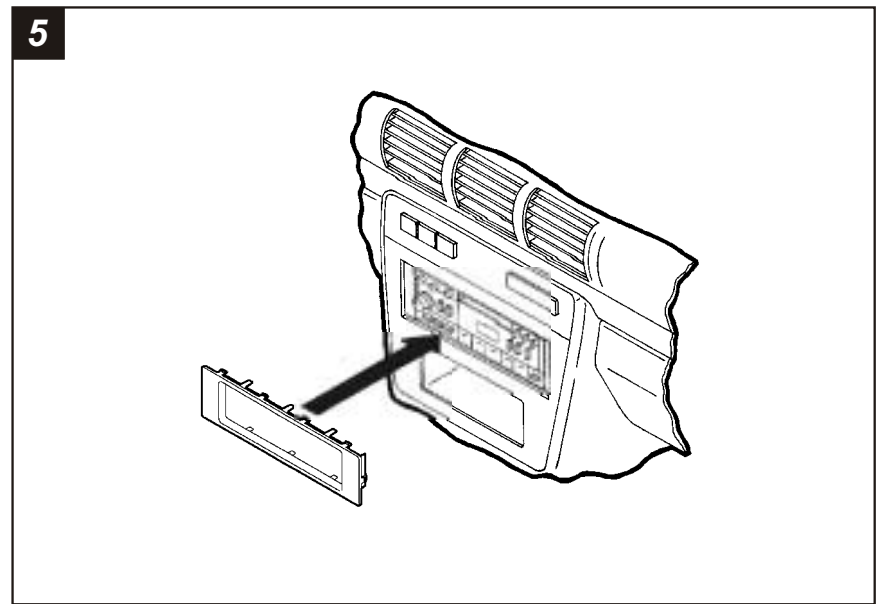
Locate the factory wiring harness in the dash. Metra recommends using the proper mating adaptor and making connections as shown. (Isolate and individually tape off the ends of any unused wires to prevent electrical short circuit).



Slide the DIN cage into the radio opening and secure by bending the metal locking tabs down.



Slide the aftermarket head unit into the DIN cage until secure.



Re-connect the battery terminal and test the unit for proper operation. Snap the **Trimplate** into the radio opening.