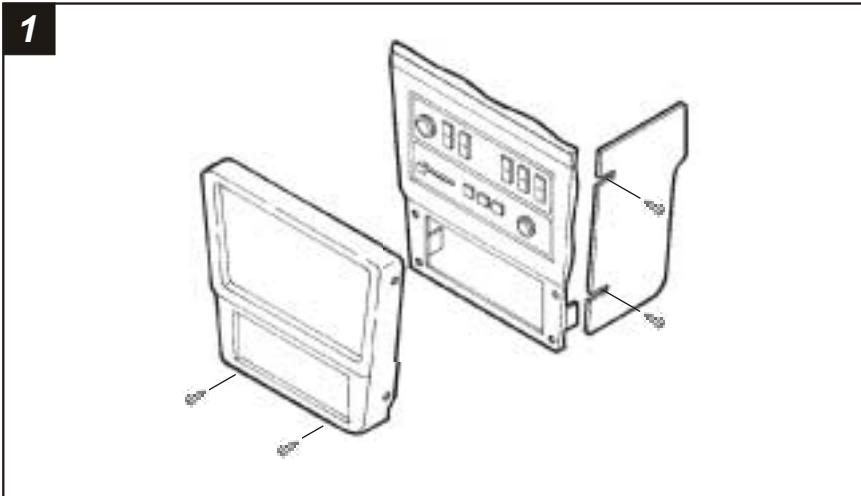
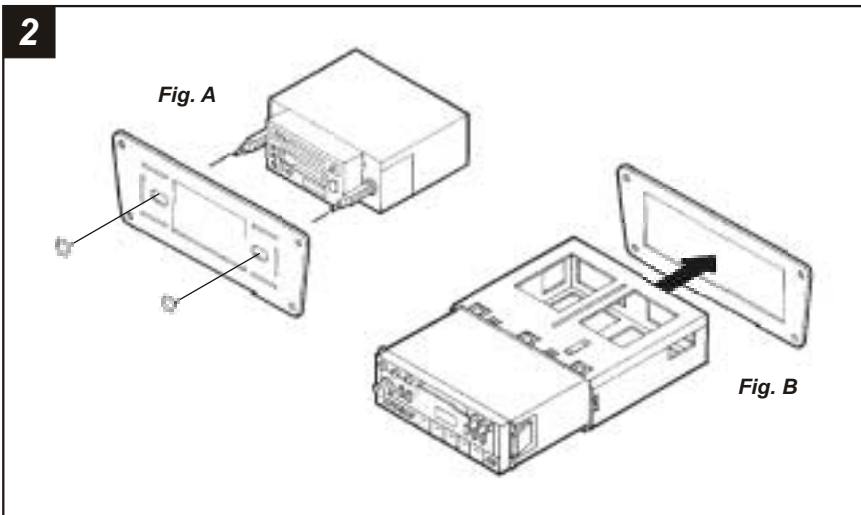


ALL VEHICLES

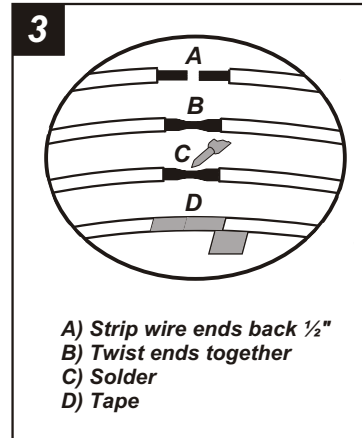


Disconnect the negative battery terminal to prevent an accidental short circuit. Remove (1) Phillips screw and (1) plastic twist-lock screw securing each side panel to the lower dash console. Remove (2) Phillips screws from the base of the radio trim bezel and remove the bezel. Remove (4) screws securing the factory pocket to the sub-dash and remove the pocket.

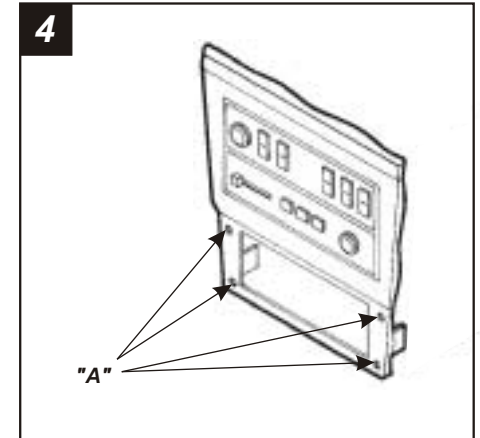


SHAFT UNITS: Slide the aftermarket head unit into the **Radio Housing** and secure with shaft nuts. (see Fig. A)

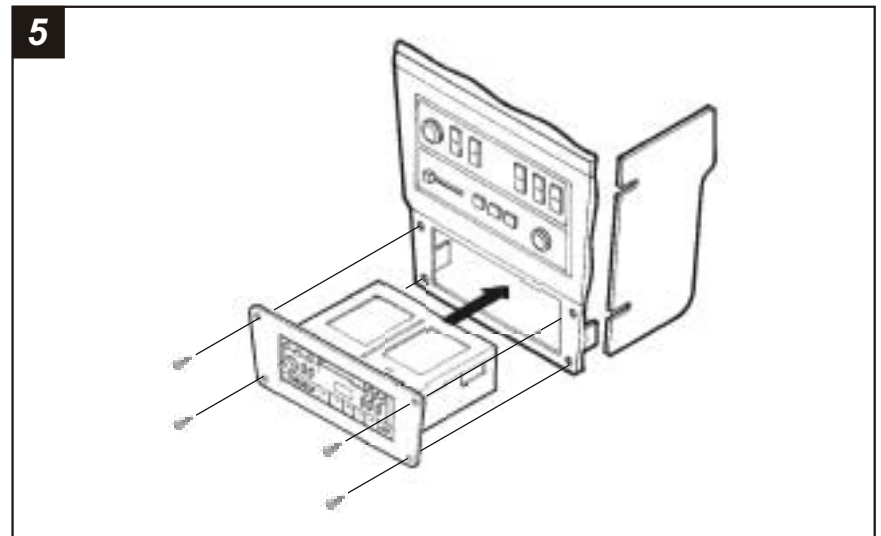
DIN HEAD UNITS: Cut and remove the shaft supports from the **Radio Housing**. Slide the DIN cage into the kit and secure by bending the metal locking tabs down. Slide the aftermarket head unit into the cage until secure. (see Fig. B)



Locate the factory wiring harness in the dash. Metra recommends using the proper mating adaptor and making connections as shown. (Isolate and individually tape off the ends of any unused wires to prevent electrical short circuit).



Locate the (4) mounting positions in the sub-dash ("A").



Re-connect the battery terminal and test the unit for proper operation. Mount the head unit/kit assembly to the sub-dash with (4) screws previously removed.

KIT FEATURES

- ▶ Shaft and DIN unit provisions

KIT COMPONENTS



99-9210

INSTALLATION INSTRUCTIONS

APPLICATIONS

CAR	PAGE
VOLVO	
100 Series 1973-75.....	1-2
200 Series (lower dash) 1975-93.....	1-2



TOOLS REQUIRED



Phillips screwdriver



Cutting tool



Adjustable wrench