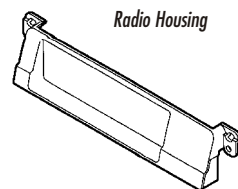


KIT FEATURES

- ▶ DIN head unit provisions

KIT COMPONENTS



Radio Housing

TOOLS REQUIRED



Phillips screwdriver

99-9300

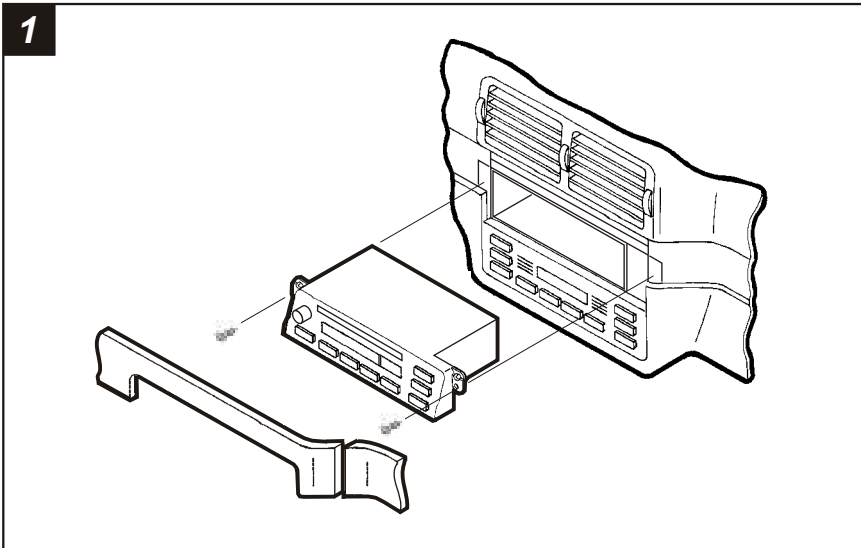
INSTALLATION INSTRUCTIONS

APPLICATIONS

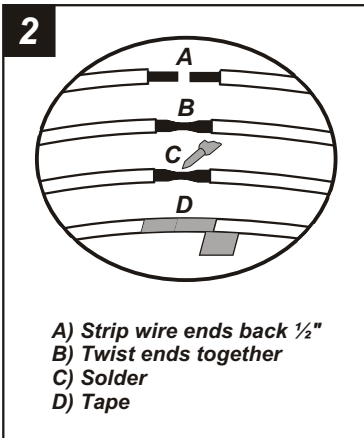
CAR	PAGE
BMW	
318 (All) 1999-2002.....	1-2
323 (All) 1997-2002.....	1-2
325 (All) 2001-2002.....	1-2
328 (All) 1997-2002.....	1-2
330 (All) 2001-2002.....	1-2



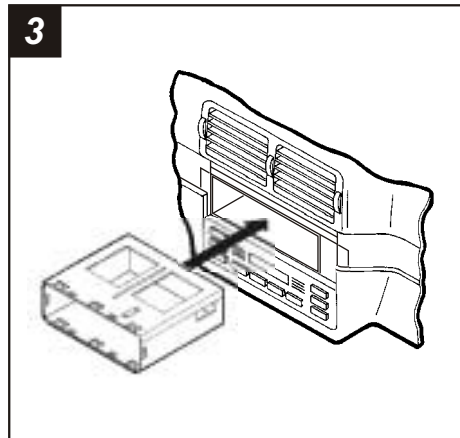
ALL VEHICLES



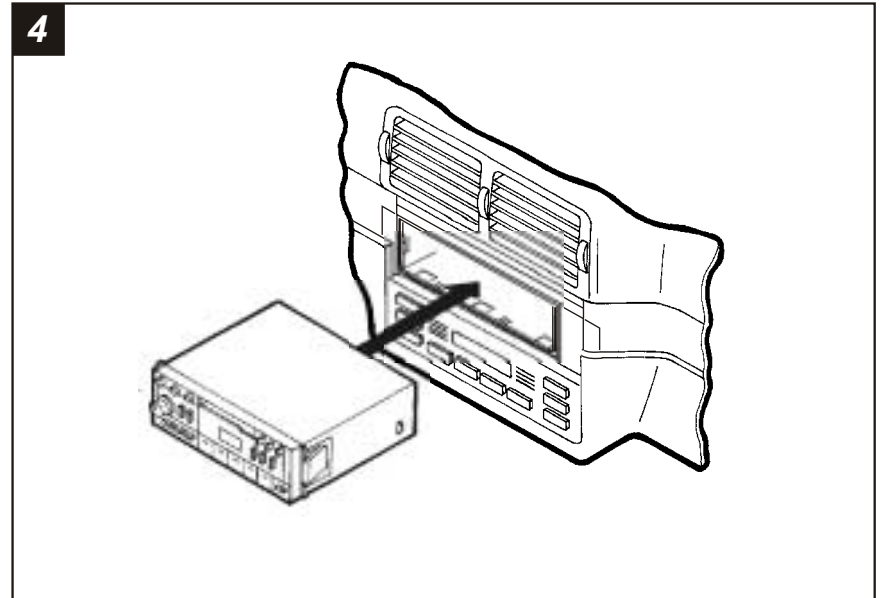
Disconnect the negative battery terminal to prevent an accidental short circuit. Gently unclip the wood-grained trim piece located above the glove box and remove. Gently unclip the wood-grained trim piece located above the radio opening and remove. Remove (2) Phillips screws securing the factory head unit and disconnect the wiring.



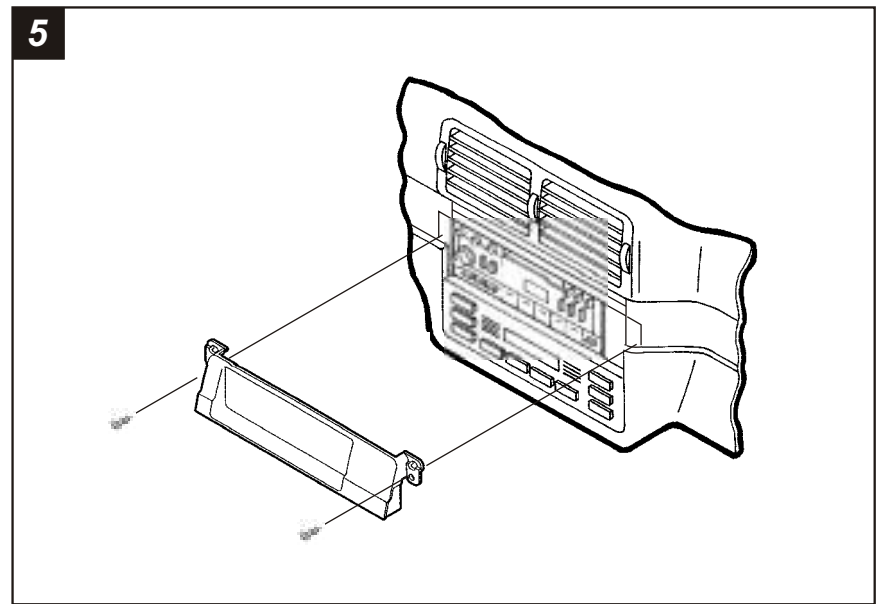
Locate the factory wiring harness in the dash. Metra recommends using the proper mating adaptor and making connections as shown. (Isolate and individually tape off the ends of any unused wires to prevent electrical short circuit).



Slide the DIN cage into the dash cavity **RESTING** the cage on the **RIGHT** edge of the radio opening. (It is NOT necessary to secure the cage to the radio opening).



Slide the aftermarket head unit into the DIN cage until secure.



Re-connect the battery terminal and test the unit for proper operation. Mount the **Radio Housing** to the sub-dash with (2) screws previously removed in step #1.